



shaping the future of optics

# Optotune

## MR-E-2 product family

Bernstrasse 388 | CH-8953 Dietikon | Switzerland  
Phone +41 58 856 3011 | [www.optotune.com](http://www.optotune.com) | [info@optotune.com](mailto:info@optotune.com)

# MR-E-2 Dev Kit



## MR-E-2 Base unit

MR-E-2 Base unit controller box



Connector block

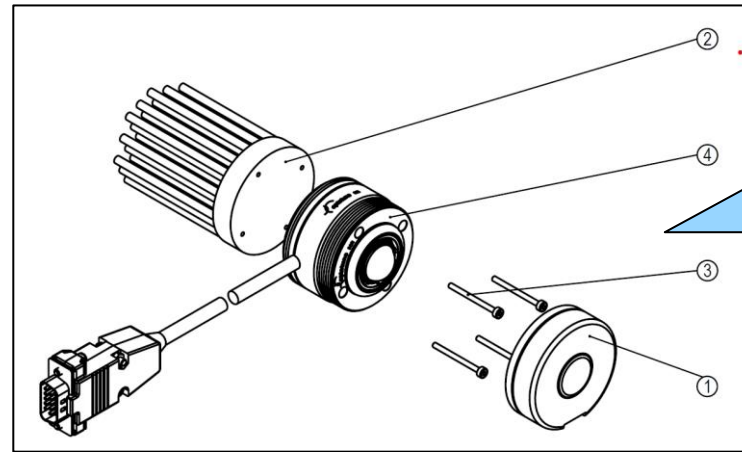


Power supply



USB cable

## MR-E-2 Head unit



Incl. protective cover & heatsink



**Gold**  
(w. MR-15-30-G)



**Silver**  
(w. MR-15-30-PS)

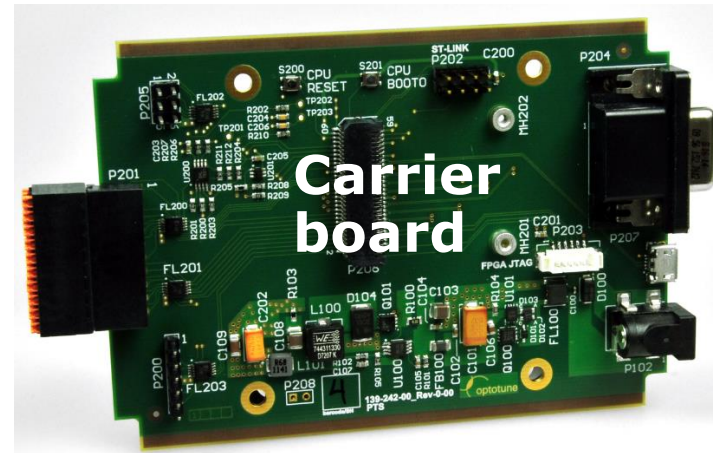
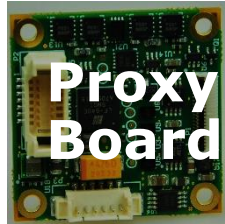


**Dielectric**  
(w. MR-15-30-DVIS)



**Custom**  
(w. custom coating, resonant mirror MR-10-30, ....)

# MR-E-2 OEM version



**MR-E-2 carrier to proxy board cable assembly**

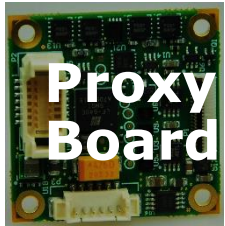


**USB cable**

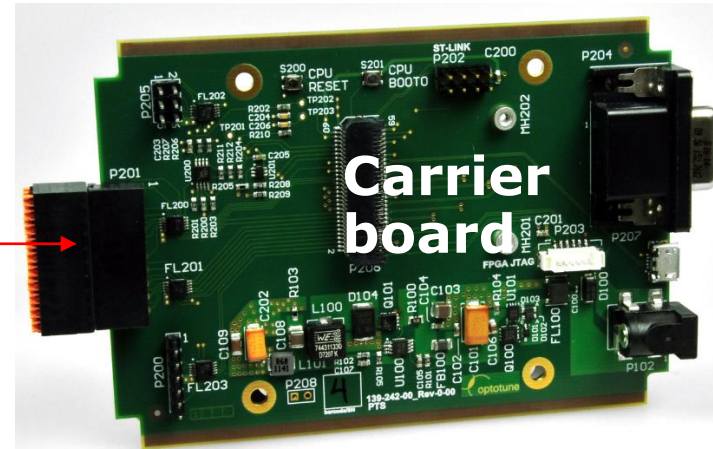


**MR-E-2 power supply**

# MR-E-2 Individual Parts



Connector block is part of carrier board assembly



MR-E-2 carrier to proxy board cable assembly



USB cable



MR-E-2 power supply