

ELM-35-6.4-11-C



Lens module specifications

Effective focal length		35	mm	
F/#		6.4	fixed	
Maximum sensor format		2/3"	inch	
Maximum image circle (Φ)		11	mm	
Lifecycles (10-90% sinusoidal)		>1'000'000'000	cycles	
FOV	Diagonal (11mm)	17.9	°	
	Horizontal (8.8mm)	14.3	°	
	Vertical (6.6mm)	10.8	°	
Back Focal Length		15.5	mm	In air
Optical Distortion		<0.4	%	
Pixel size recommended		3.45	µm	
Wavelength range		435 to 656	nm	Different coatings available upon request
Relative illumination		>75	%	
Max chief ray angle		<5	°	
Working distance range		150 to infinity	mm	
Mount		C-mount		
Total Track Length		55.8	mm	In air
Dimension (L × W × H)		38.28 × 29.00 × 44.80	mm	

Focus tunable lens specifications

EL-3-10-VIS-26D

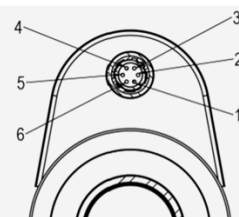
Focal power range (@20°C)		-13 to +13	dpt	
Wavefront error @525nm (vertical/horizontal optical axis)		<0.2/<0.2	λRMS	
Operating temperature		-20 to +65	°C	
Storage temperature		-40 to +85	°C	
Temperature compensation		No		

Electrical specifications

Control current (typical)		-120 to +120	mA	
Operating voltage		-1...1	V	
Power consumption (full tuning range)		0 to 100	mW	$P = R_{Coil} \times I^2$
Power consumption (+/- 5 dpt tuning range)		0 to 15	mW	
Settling time		2 to 4	ms	Low pass filtered / normal step signal

Hirose connector (HR10G-7R-6P)

	Function
Pin 1	Control current +
Pin 2	Control current -
Pin 3	Not connected
Pin 4	Not connected
Pin 5	Not connected
Pin 6	Not connected



Controller

The liquid lens is controlled with electrical current and must be operated by a suitable lens controller. Hirose cables and liquid lens controllers are sold separately. The following controllers are considered fully compatible:

- Optotune lens driver EL-E-4i
- Optotune industrial controller ICC-4C-500
- OPT-LLC0524E-4



Additional selection of controllers is available at www.optotune.com/controllers

Mechanical drawings

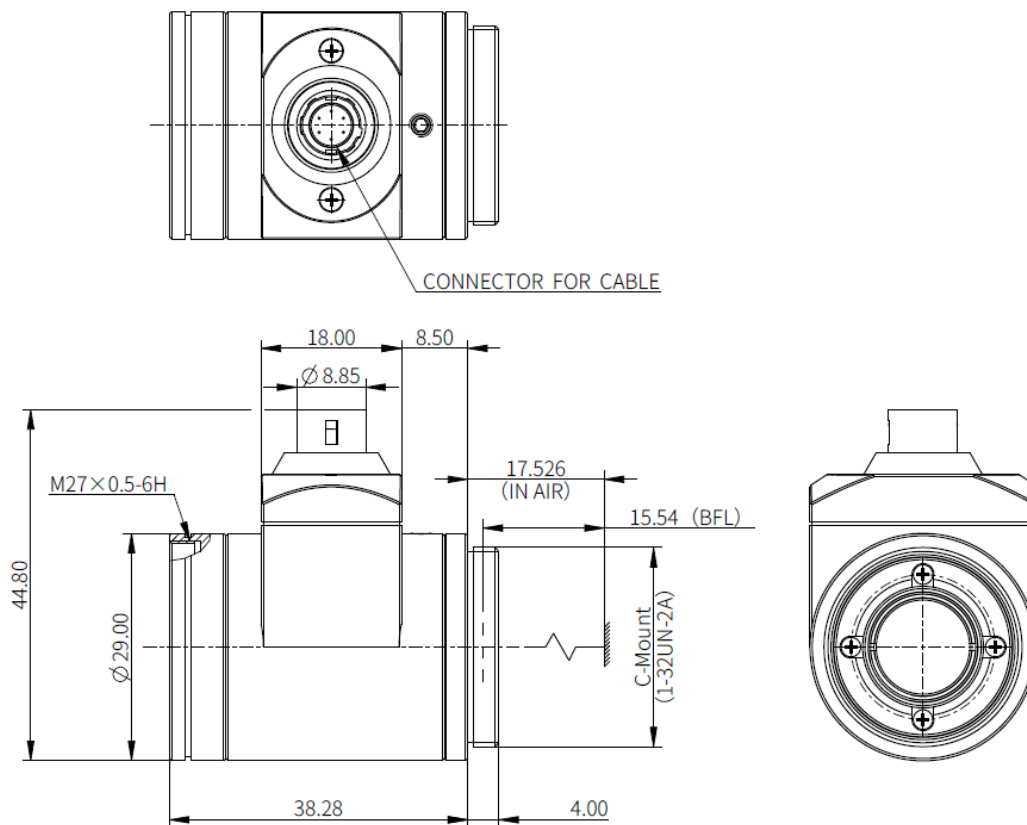


Figure 1: Mechanical drawing of the ELM-35-6.4-11-C

For more information on optical, mechanical and electrical parameters, please contact sales@optotune.com.