

ELM-35-5.6-14-C



Lens module specifications

Effective focal length	35.6	mm	
F/#	5.6	(Variable)	
Maximum sensor format	2/3	inch	
Maximum image circle (Φ)	11	mm	
Lifecycles (10-90% sinusoidal)	>1'000'000'000	cycles	
FOV	Diagonal		°
	Horizontal		°
	Vertical		°
Back Focal Length		mm	In air
Optical Distortion	0.07	%	
Pixel size recommended	3.0	µm	
Wavelength range	400 to 700	nm	Different coatings available upon request
Relative illumination	-	%	
Max chief ray angle	-	°	
Working distance range	250-500	mm	
Mount	C-mount		
Total Track Length	79.03	mm	In air
Dimension (Φ x L)	31.5 x 61.5	mm	

Focus tunable lens specifications

EL-10-30-Ci-VIS-LD-MV

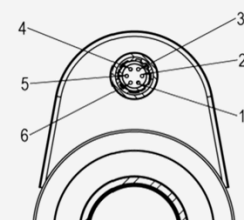
Focal power range (@20°C)	-1.5 to +3.5	dpt	
Wavefront error @525nm (vertical/horizontal optical axis)	<0.15/<0.25	λRMS	
Operating temperature	-20 to +65	°C	
Storage temperature	-40 to +85	°C	
Temperature compensation	STTS2004		(STMicroelectronics)

Electrical specifications

Nominal control current with Lens Driver 4	0 to +250	mA	
Absolute max. control current	0 to 400	mA	
Power consumption	0 to 0.9 (nominal) 0 to 2.0 (absolute max.)	W	
Motor coil resistance @ 25°C	12.5	Ω	
Absolute maximum voltage(coil)	5	V	
Absolute maximum voltage (temp. sensor)	4.3	V	

Hirose connector (HR10G-7R-6P)

Pin	Function	Sensor pins
Pin 1	Control current +	-
Pin 2	Control current -	-
Pin 3	Ground	1-4
Pin 4	Power (3.3V)	8
Pin 5	I ² C SCL	6
Pin 6	I ² C SDA	5



Controller

The liquid lens is controlled with electrical current and must be operated by a suitable lens controller. Hirose cables and liquid lens controllers are sold separately. The following controllers are considered fully compatible with ELM-35-5.6-14-C:

- Optotune lens driver EL-E-4i
- Optotune industrial controller ICC-4C-500



Additional selection of controllers is available at www.optotune.com/controllers

Mechanical drawings

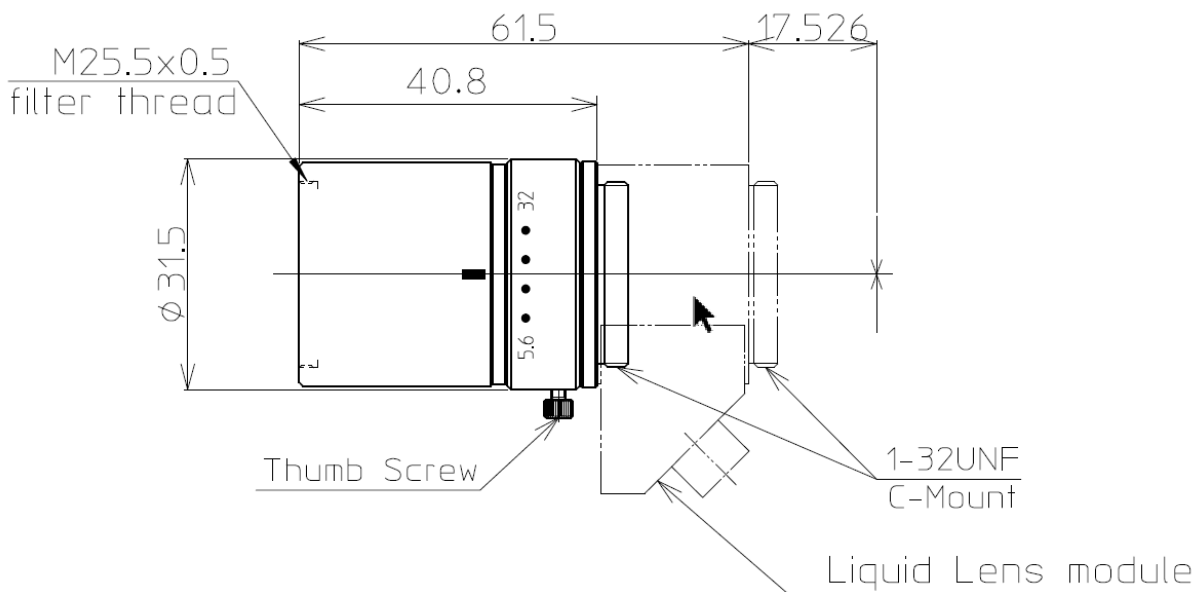


Figure 1: Mechanical drawing of the ELM-35-5.6-14-C

For more information on optical, mechanical and electrical parameters, please contact sales@optotune.com.