

OPT-HP05-LQLTC-110 Bi-Telecentric Liquid Lens



Lens module specifications

Focus tunable lens (Optotune)	Model	EL-12-30-TC-VIS-16D		
	Focal power	-0.44	+0.36	dpt
Working distance		112.8	105	mm
Magnification		0.5		X
F/# / NA		6.5 / 0.0385		variable
Image MTF30 (at 0 dpt)		145		lp/mm
Maximum sensor format		1.1"		inch
Image circle (Φ)		18.4		mm
FoV (at max sensor format) Ø		36.80		mm
Optical leverage		9.75		mm/dpt
Telecentricity		0.10°		°
Optical Distortion		<0.2%		%
Wavelength range		Visible		nm
Lifecycles (10-90% sinusoidal)		>1'000'000'000		cycles
Mount		C		
Dimension (Φ x L)		60.00 x 157.95		mm

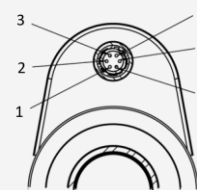
Focus tunable lens specifications

Focal power range (@30°C) ³		-6 to +10	dpt
Wavefront error (at 525 nm & 0 mA)		<0.15/<0.23	λRMS
Optical axis vertical / horizontal			
Operating temperature		-20 to +65	°C
Storage temperature		-40 to +85	°C
Temperature compensation & smart step		Yes	

Electrical specifications

Control current (nominal)		-250 to +250	mA
Absolute max. control current		-300 to 300	mA
Power consumption		0 to 940 (nominal)	mW
Motor coil resistance @ 25°C		15	Ω
Absolute maximum voltage (coil)		6	V
Absolute maximum voltage (memory & sensor)		4	V

Hirose connector HR10G-7R-6SB	Function	Value
Pin 1	GPIO Trigger	-
Pin 2	Analog In	0-10V
Pin 3	UART Tx / I ² C SCL	TTL
Pin 4	UART Rx / I ² C SDA	TTL
Pin 5	GND	-
Pin 6	Vcc	5-24V



Controller

This lens features Optotune's embedded controller ECC-1C, which features digital communication via UART and I2C as well as an analog 0-10V interface. The lens can be either connected directly to a compatible camera (and controlled through the camera's GenICam interface) or to a PC using Optotune's UART to USB cable (P/N 150-349-00).



More information on controllers: <https://www.optotune.com/controllers>

Mechanical drawings

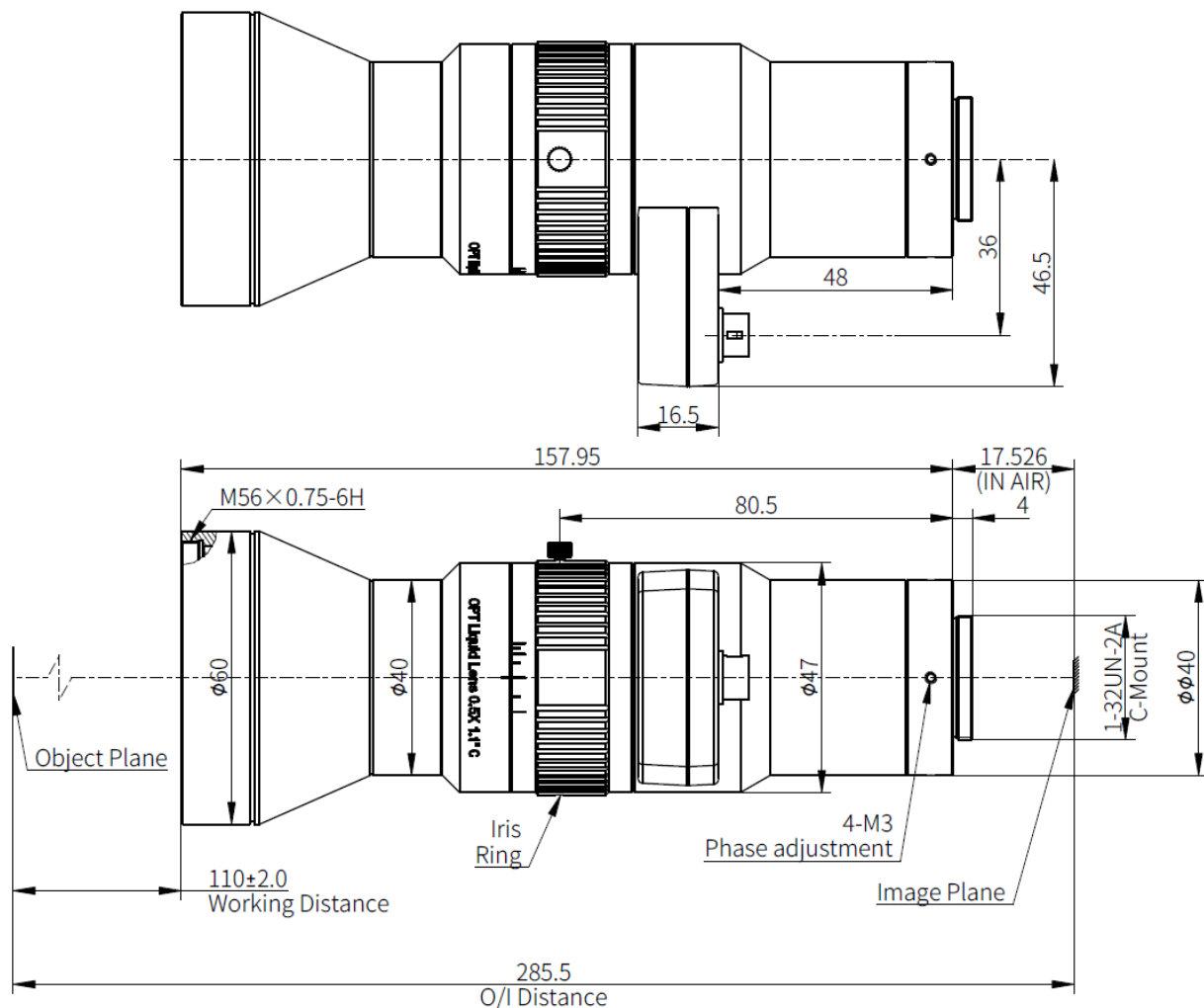


Figure 1: Mechanical drawing of the OPT-HP05-LQLTC-110

For more information on optical, mechanical and electrical parameters, please contact sales@optotune.com